



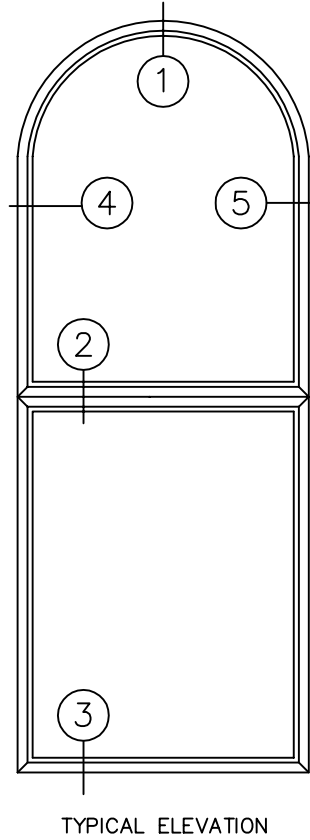
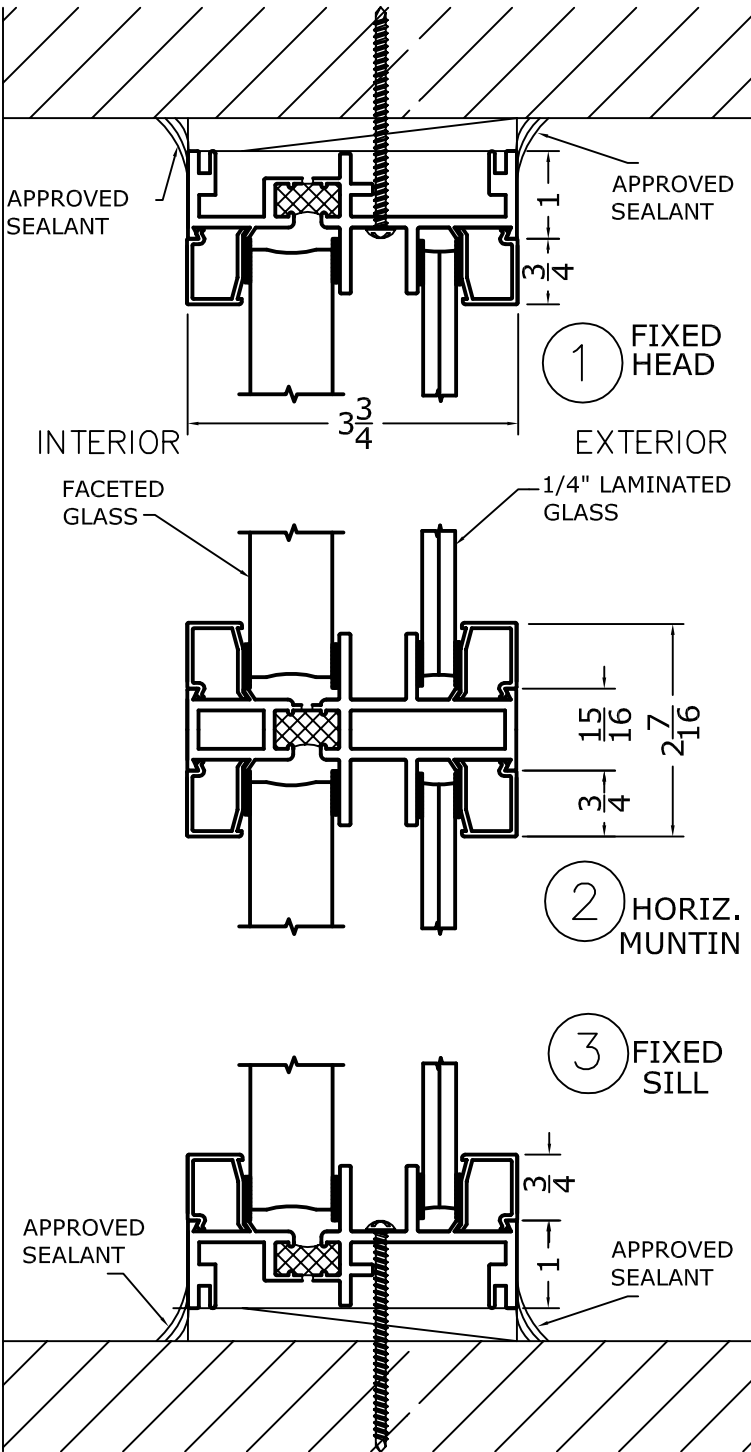
**Bovard Studio Inc.**

2281 Hwy. 34 E.; Fairfield, IA 52556

Phone: (641) 472-2824; Fax: (641) 472-0974

**3750 SERIES**

**ALUMINUM THERMAL BARRIER WINDOW FRAMES FOR FACETED GLASS AND 1/4" LAMINATED GLASS**



Engineered to hold faceted glass and laminated glass. Vented within the frame to prevent heat buildup and condensation between the faceted glass window and the laminated glass. Available in standard dark bronze, white and natural aluminum mill finishes, or custom colors for an additional cost.

